



Model 73

Builder Series Sump Pump

Features:

- 2-year warranty
- Reliable integrated vertical switch
- 1/3 HP 115 V sump pump
- Performance up to 18' (5.5 m) TDH
- Flows up to 38 GPM (144 LPM)
- Rugged cast iron motor housing
- Engineered plastic base
- Corrosion-resistant, powder coated epoxy paint

100% factory tested



ZOELLER 
PUMP COMPANY

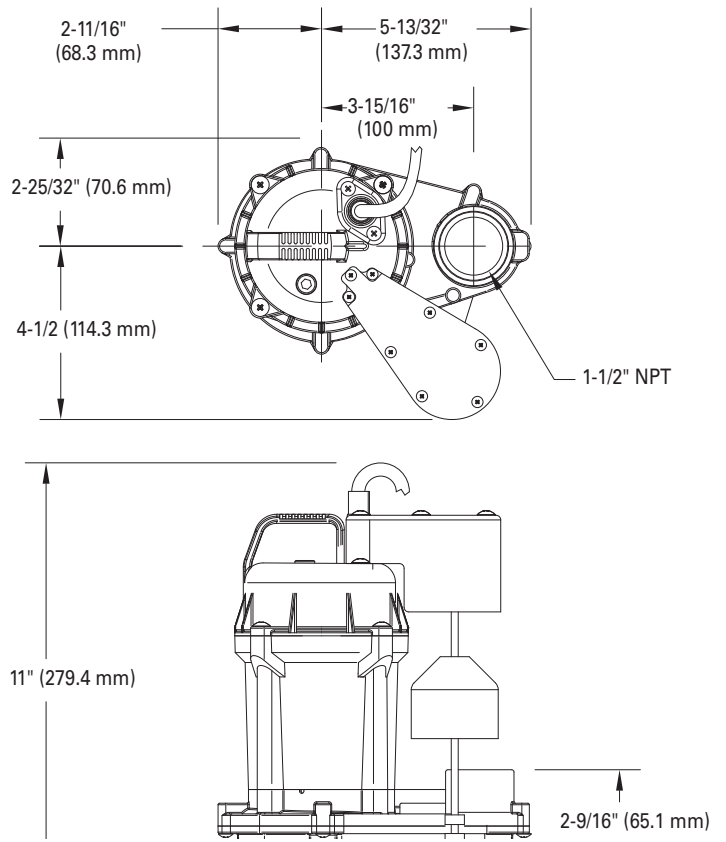
Trusted. Tested. Tough.™

zoellerpumps.com 800-928-7867
3649 Cane Run Road, Louisville, KY 40211 USA

FM2960

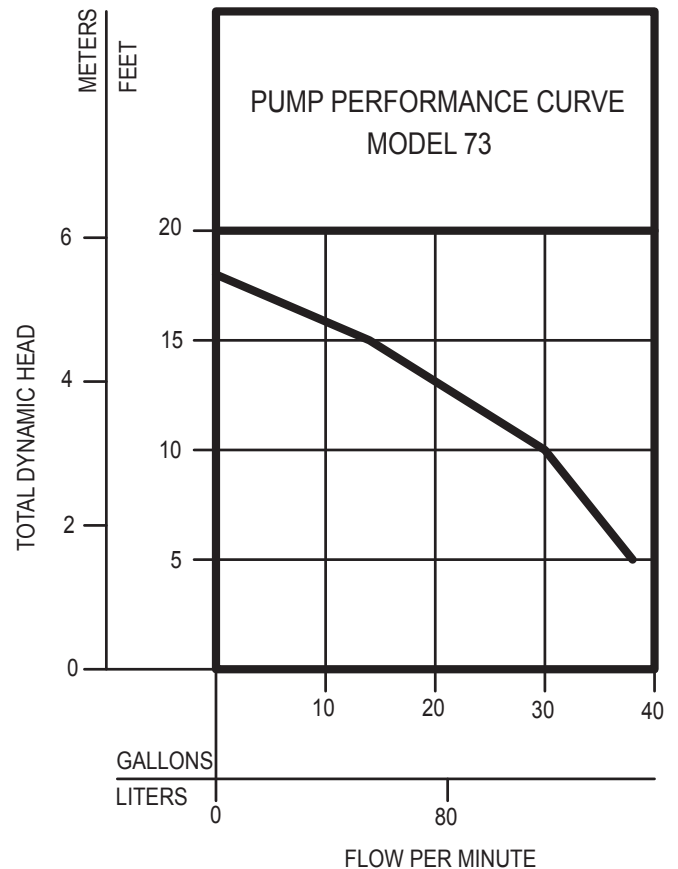
PRODUCT SPECIFICATIONS

| | | |
|------------------|----------------------|------------------------------------|
| MOTOR | Horse Power | 1/3 |
| | Voltage | 115 |
| | Phase | 1 Ph |
| | Hertz | 60 Hz |
| | RPM | 3450 |
| | Type | Permanent split capacitor |
| | Insulation | Class B |
| | Amps | 5.5 |
| PUMP | Operation | Automatic |
| | Auto On/Off Points | 6-1/2" (16.5 cm) / 2-1/2" (6.3 cm) |
| | Discharge Size | 1-1/2" NPT |
| | Solids Handling | 3/8" (9 mm) spherical solids |
| | Cord Length | 9' |
| | Cord Type | UL listed with 3 prong plug |
| | Max. Head | 18' (5.5 m) |
| | Max. Flow Rate | 38 GPM (144 LPM) |
| | Max. Operating Temp. | 104 °F (40 °C) |
| | Cooling | Oil filled |
| | Motor Protection | Auto reset thermal overload |
| | MATERIALS | Motor Housing |
| Pump Housing | | Engineered plastic |
| Base | | Engineered plastic |
| Upper Bearing | | Ball bearing |
| Lower Bearing | | Ball bearing |
| Mechanical Seals | | Carbon and ceramic |
| Impeller Type | | Non-clogging vortex |
| Impeller | | Engineered plastic |
| Hardware | | Stainless steel |
| Motor Shaft | | 410 stainless steel |
| Gasket | | NBR |



SK3021

NOTE: See model comparison chart for specific details.



CAUTION All installation of controls, protection devices and wiring should be done by a qualified licensed electrician. All electrical and safety codes should be followed including the most recent National Electrical Code (NEC) and the Occupational Safety and Health Act (OSHA).